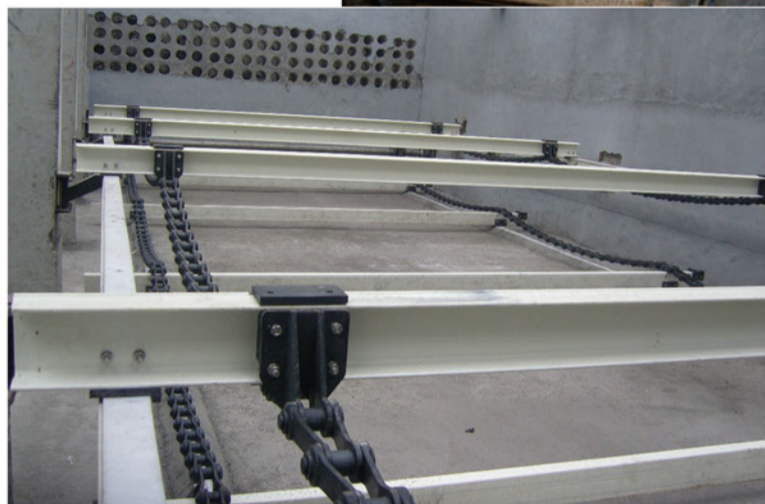
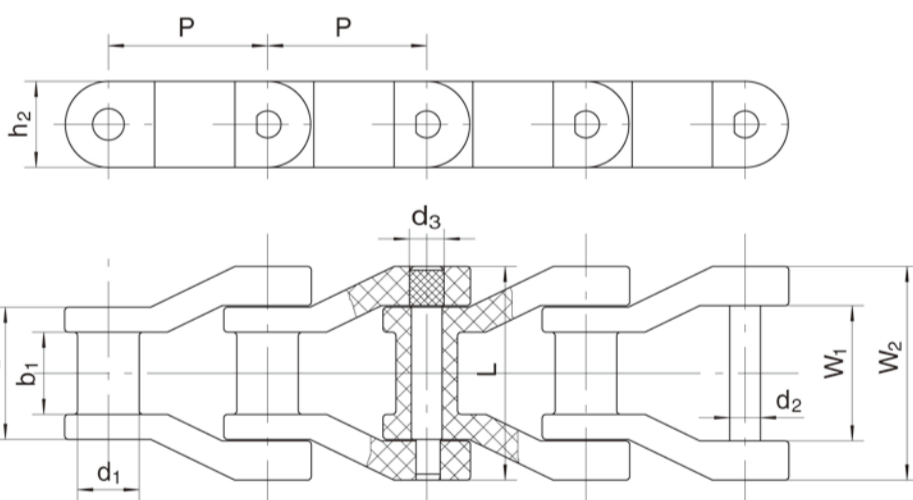


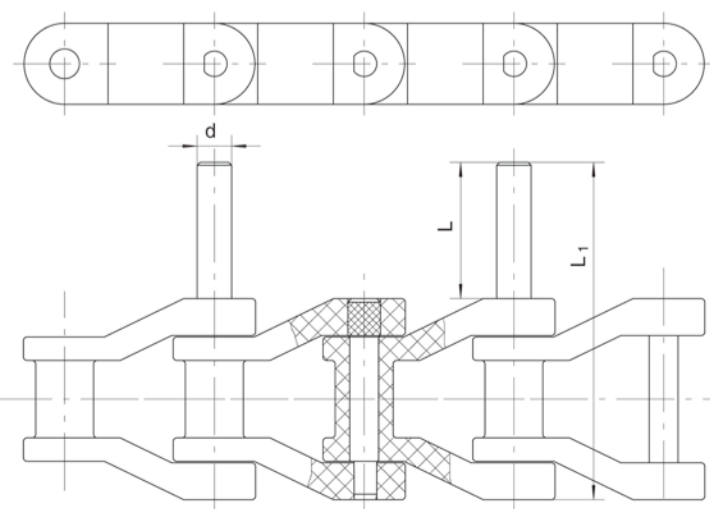
# 污水处理 Sewage Processing



## 污水处理聚合物链 Wastewater Treatment Polymeric Chains



链号 Chain No.	节距 Pitch	窄端 Narrow end		宽端 Wide end		套筒 Barrel	链板 Sidebars	销轴 Pin			最小抗拉 强度 Ultimate tensile strength	每米 重量 Weight per meter
		P	b <sub>1</sub> (min)	b <sub>2</sub> (min)	W <sub>1</sub> (min)			W <sub>2</sub> (min)	d <sub>1</sub>	h <sub>2</sub>		
NH45	41.4	21.4	34.4	35.2	55.6	16	22.4	7.92	8.2	55.4	6	1.5
NH78	41.4	27.4	41.4	42.3	74.3	22.23	28.6	11.1	11.6	73.9	18	2.1



链号 Chain No.	d mm	L mm	L <sub>1</sub> mm
NH45-D1	9.52	37.7	93.1
NH45-D5	7.87	38.1	93.5
NH45-D6	9.65	38.1	93.5
NH45-D7	11.18	38.1	93.5
NH45-D8	12.7	38.1	93.5
NH45-D9	14.22	38.1	93.5
NH78-D7	11.18	38.1	112
NH78-D8	12.7	38.1	112
NH78-D9	14.22	38.1	112