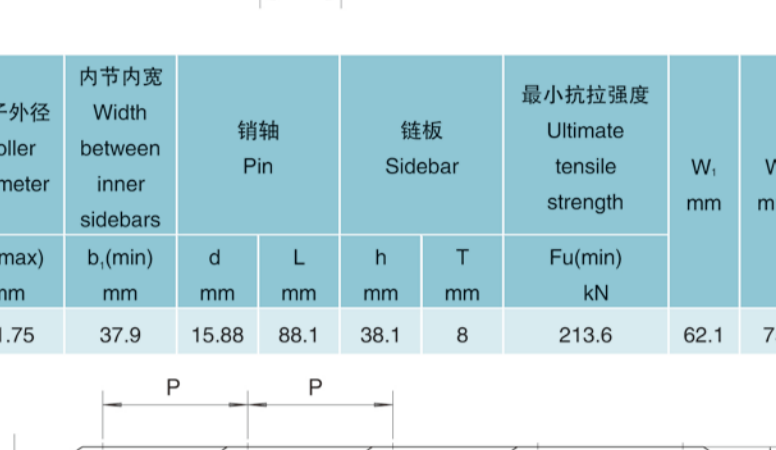


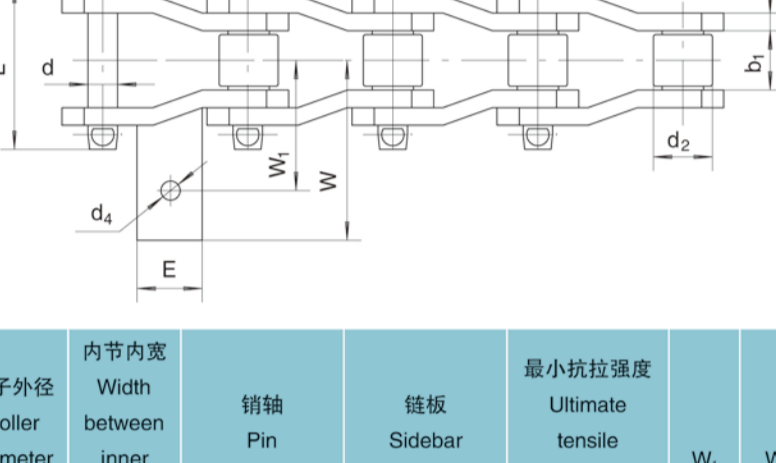
## 摊铺机 Paver



### 铺路机链 Paver chains

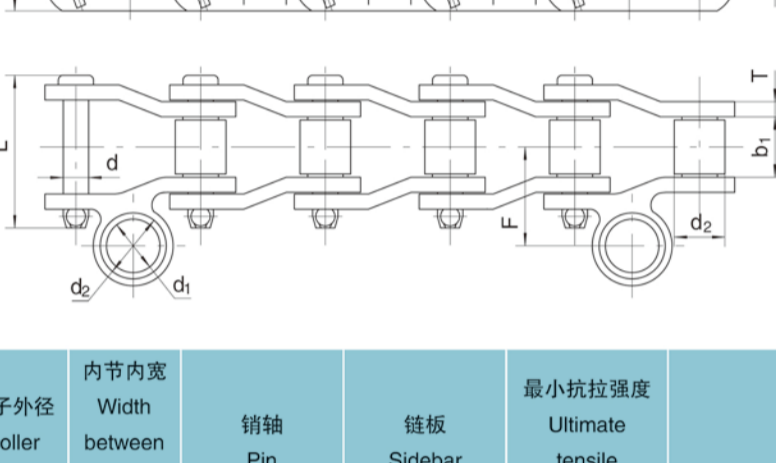


链号 Chain No.	节距 Pitch	滚子外径 Roller diameter	内节内宽 Width between inner sidebars	销轴 Pin			链板 Sidebar			最小抗拉强度 Ultimate tensile strength	W mm	W mm	d mm	E mm	H mm
				d	L	h	T	Fu(min) kN							
B5046	78.1	31.75	37.9	15.88	88.1	38.1	8	213.6	62.1	75	13.6	43	25.4		

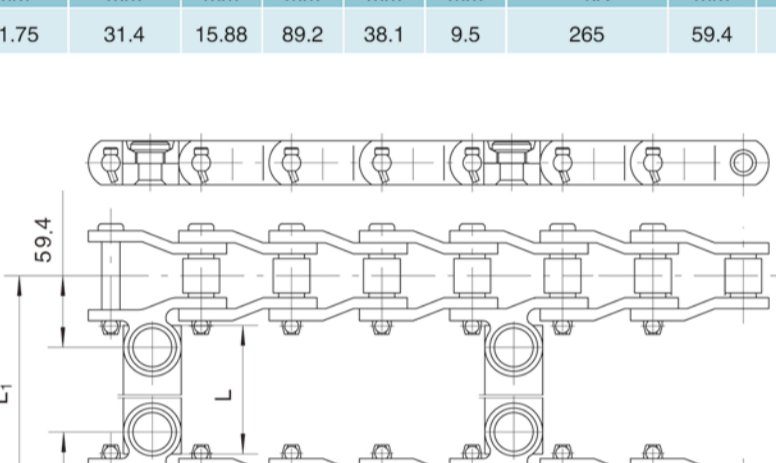


链号 Chain No.	节距 Pitch	滚子外径 Roller diameter	内节内宽 Width between inner sidebars	销轴 Pin			链板 Sidebar			最小抗拉强度 Ultimate tensile strength	W mm	W mm	d mm	E mm	H mm
				d	L	h	T	Fu(min) kN							
SS40-A1	78.1	31.75	31.4	15.88	89.2	38.1	9.5	265	70	96.8	10.3	38.1	16		

### 铺路机链 Paver chains

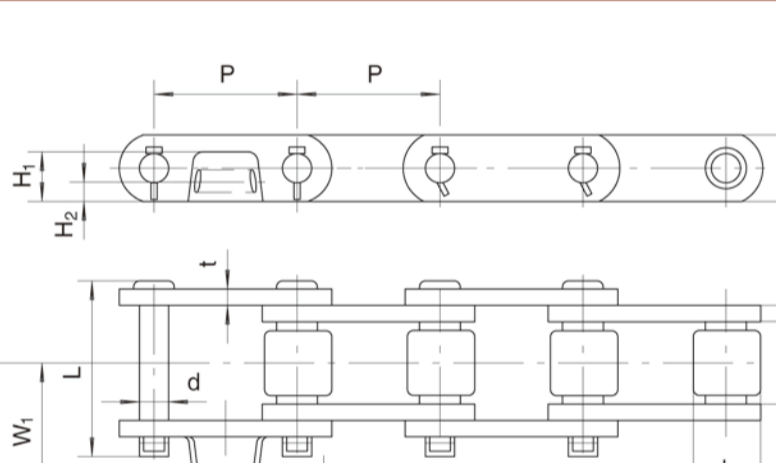


链号 Chain No.	节距 Pitch	滚子外径 Roller diameter	内节内宽 Width between inner sidebars	销轴 Pin			链板 Sidebar			最小抗拉强度 Ultimate tensile strength	附件 ATT.			
				d	L	h	T	Fu(min) kN	F mm		d mm	d mm	H mm	
SS40-A1	78.1	31.75	31.4	15.88	89.2	38.1	9.5	265	59.4	25.4	50	19		

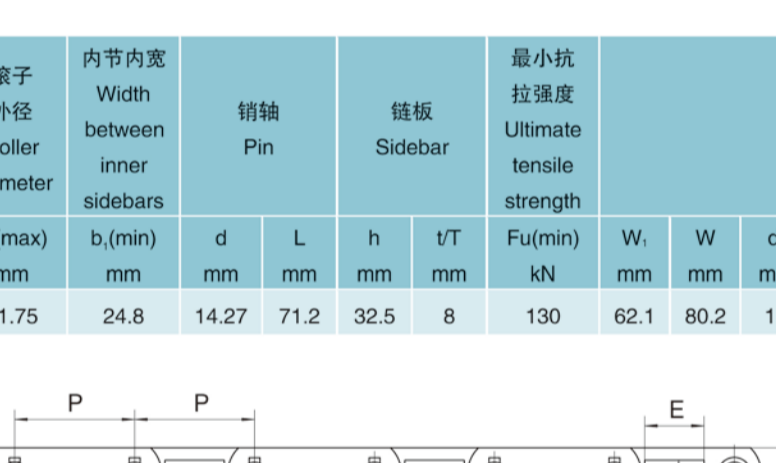


型号 Chain No.	I	II	III	IV	V	VI	VII	VIII	IX
L mm	511	464	387	419	610	463.5	408	483	319
L1 mm	591.8	544.8	467.8	499.8	690.8	544.3	488.8	563.8	399.8

### 铺路机链 Paver chains

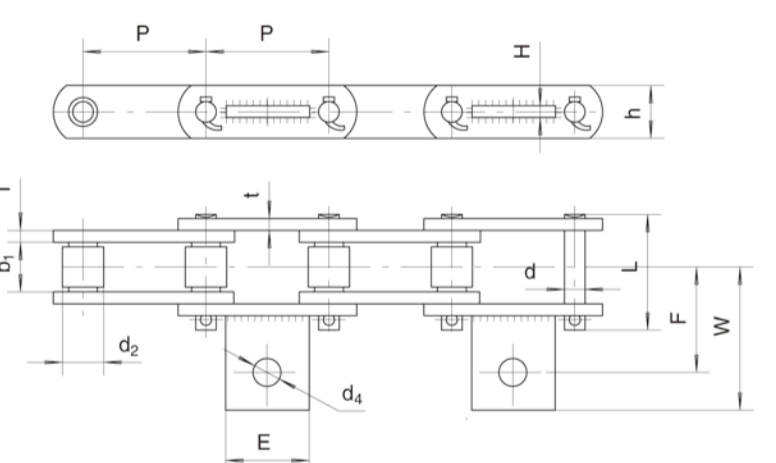


链号 Chain No.	节距 Pitch	滚子外径 Roller diameter	内节内宽 Width between inner sidebars	销轴 Pin			链板 Sidebar			最小抗拉强度 Ultimate tensile strength	附件 ATT.			
				d	L	h	T	Fu(min) kN	W mm		W mm	d mm	R mm	H mm
C1594	69.85	31.75	24.8	14.27	71.2	32.5	8	130	62.1	80.2	11	13.5	24	9.5

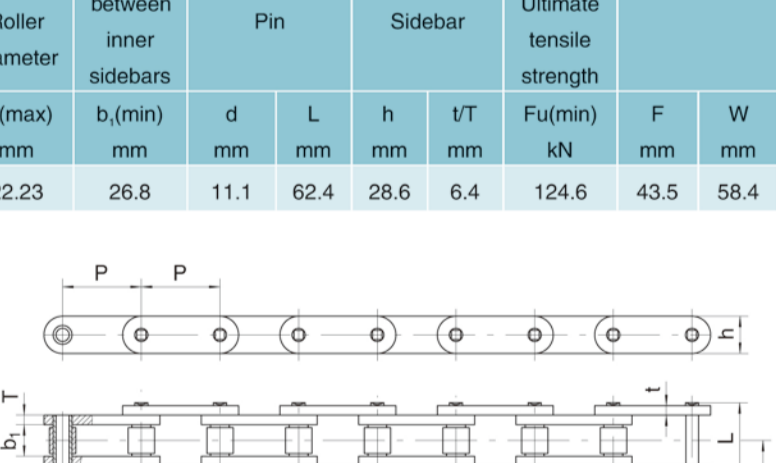


链号 Chain No.	节距 Pitch	滚子外径 Roller diameter	内节内宽 Width between inner sidebars	销轴 Pin			链板 Sidebar			最小抗拉强度 Ultimate tensile strength	每米重量 Weight per meter
				d	L	h	T	H	E		
C1598	69.85	31.75	15.8	14.27	61.7	32.5	8	14.2	33.3	130	6.8

### 铺路机链 Paver chains

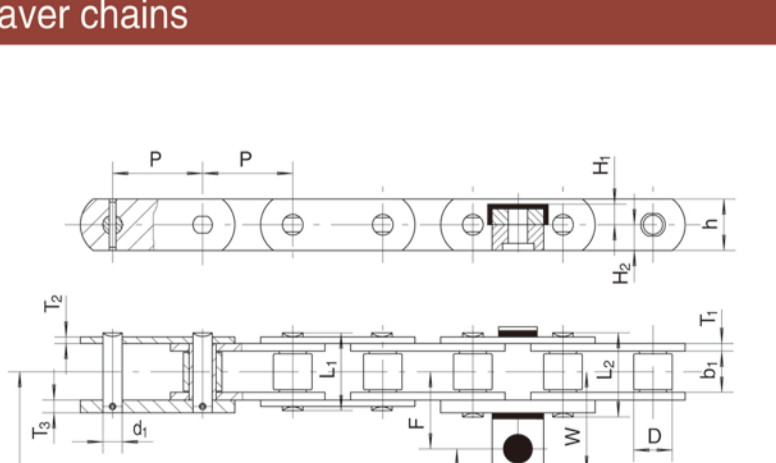


链号 Chain No.	节距 Pitch	滚子外径 Roller diameter	内节内宽 Width between inner sidebars	销轴 Pin			链板 Sidebar			最小抗拉强度 Ultimate tensile strength	附件 ATT.			
				d	L	h	T	Fu(min) kN	F mm		W mm	d mm	E mm	H mm
SGR-188	66.27	22.23	26.8	11.1	62.4	28.6	6.4	124.6	43.5	58.4	6.3	31.8	6.4	



链号 Chain No.	节距 Pitch	滚子外径 Roller diameter	内节内宽 Width between inner sidebars	销轴 Pin			链板 Sidebar			最小抗拉强度 Ultimate tensile strength	L1 mm
				d	L	h	T	H	E		
ZY16029	66.27	22.23	26.99	11.1	31.4	31.4	7.5	373.4	990.6		

### 铺路机链 Paver chains



链号 Chain No.	节距 Pitch	滚子外径 Roller diameter	内节内宽 Width between inner sidebars	销轴 Pin			链板 Sidebar			最小抗拉强度 Ultimate tensile strength
				d	L	h	T	T2	Fu(min) kN	
P70-AS	70	30	32.2	15	62.6	67.6	40	6/5	220	
P80-AS	80	17.46	35	17.46	71.4	77.4	45	8/6	300	

F mm	W mm	K mm	E mm	L mm	H1 mm	H2 mm	T3 mm
61	83	418	40	540	16	20	10
63	85	449	50	575	20	20	12