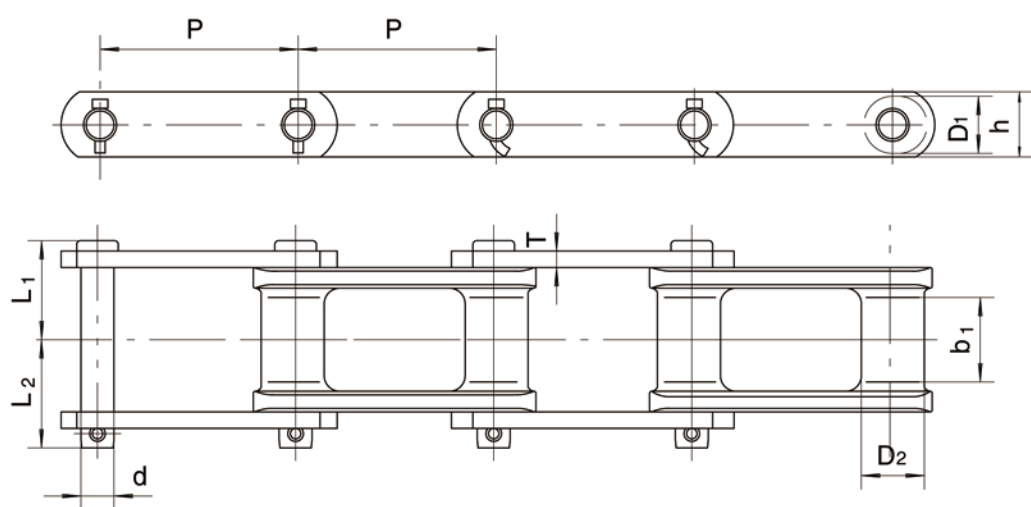
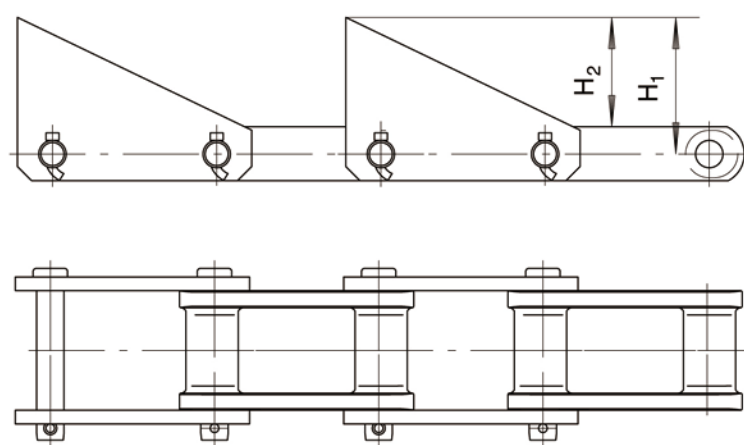


## 铸造糖机链及附件 Casting Type Sugar Mill Chains-Attachments



链号	节距	铸造链节				销轴			链板		最小抗拉强度	许用工作载荷	每米净重
Chain No.	Pitch	Casting link				Pin			Plate		Ultimate tensile strength	Rated working load	Weight per meter
	P mm	b <sub>1</sub> (min) mm	b <sub>2</sub> (max) mm	D1(max) mm	D2(max) mm	d mm	L <sub>1</sub> mm	L <sub>2</sub> mm	h mm	T mm	Q(min) kN	kN	q kg/m
C102B	101.6	44.45	72.14	25.4	30.18	15.88	52.5	58.6	38.1	9.5	122.2	18.7	11.16
C111	120.9	57.15	85.73	31.75	41.28	19.05	60.3	63.5	44.45	9.5	160	26.67	14.58
C110	152.4	44.45	73.03	36.5	36.53	15.88	53.5	57.63	38.1	9.5	122.2	18.7	9.67
C132	152.4	73	111.5	43.7	48.5	25.4	75	90	50.8	12.7	267	44.45	21.49

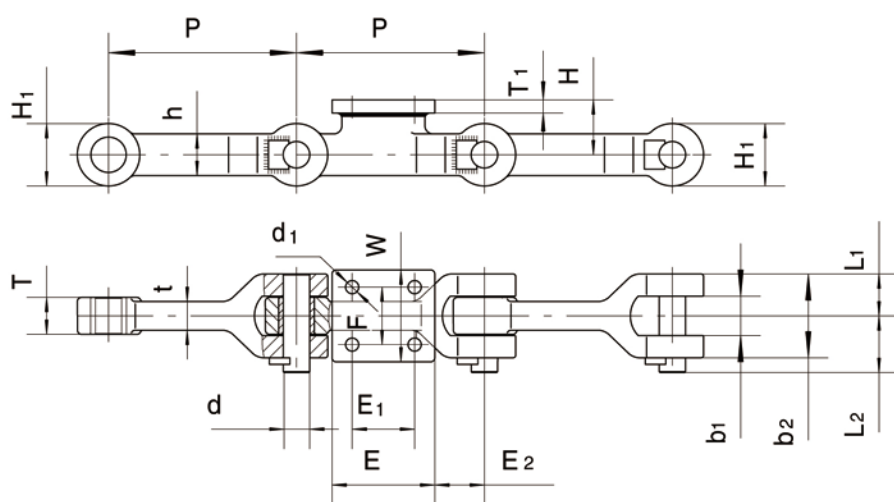


S1

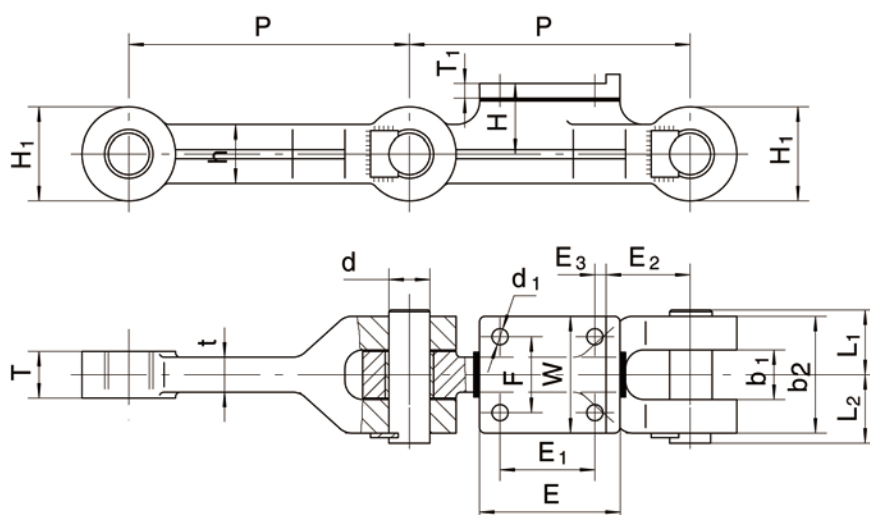
Attachment No.	Chain No.	H <sub>1</sub>	H <sub>2</sub>
		mm	mm
S1	C102B	95.25	76.2
	C110	107.95	88.9
	C111	111.13	88.9
	C132	127	101.6

## 锻造糖机链及附件 Forging Type Sugar Mill Chains-Attachments

ZY228.6



FI304.8



链号	节距	销轴				链板				最小抗拉强度
Chain No.	Pitch	Pin				Sidebar				Ultimate tensile strength
	p mm	d mm	L <sub>1</sub> mm	L <sub>2</sub> mm	b <sub>1</sub> mm	b <sub>2</sub> mm	t mm	T mm	h mm	Fu(min) kN
ZY228.6	228.6	38	51.5	68.5	53	103	32	50.8	50.8	1350
FI304.8	304.8	44.5	73.5	81.5	54	127	45	50.8	70	1246.6

H	H <sub>1</sub>	F	W	T <sub>1</sub>	E	E <sub>1</sub>	E <sub>2</sub>	E <sub>3</sub>	d <sub>1</sub>
mm	mm	mm	mm	mm	mm	mm	mm	mm	mm
66.8	80	70	112	16	125	76	57.5	/	16
76	102	83	130	20	165	108	98	22.5	20