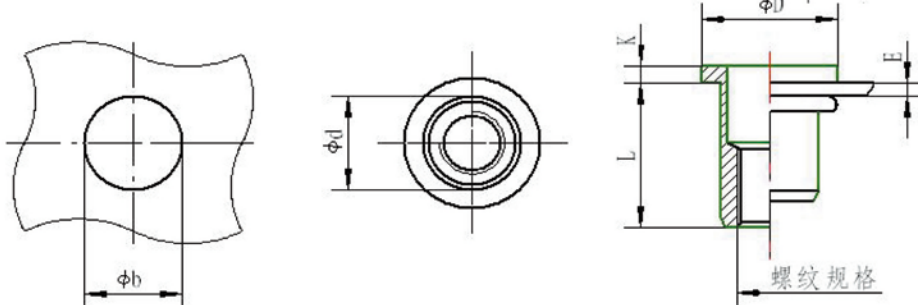




不锈钢沉头圆柱体通孔拉铆螺母
Stainless steel sink round thru-hole rivet nut

不锈钢沉头圆柱体通孔拉铆螺母

Stainless steel sink round thru-hole rivet nut



Thread specification

螺纹规格	E=grip 铆接范围	L	b=drill dia 钻孔孔径	d=rivet dia 铆体直径	D	K
M4	0.5-2.0 2.0-3.5	11.0 12.5	6.0	6.0	9.0	1.0
M5	0.5-3.0 3.0-5.0	11.5 15.0	7.0	7.0	10.0	1.0
M6	0.5-3.0 3.0-5.5	14.5 16.5	9.0	9.0	12.0	1.5
M8	0.5-3.0 3.0-5.5	16.0 18.5	11.0	11.0	15.0	1.5
M10	0.8-3.0 3.0-5.0	18.5 20.5	12.1	12.0	15.0	1.0

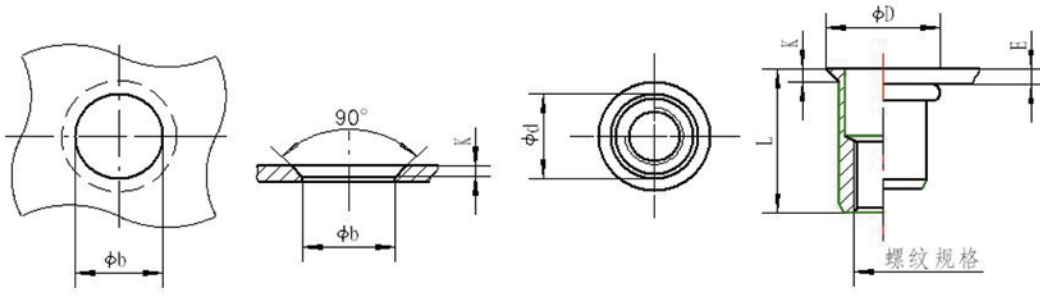
All dimensions in mm
Technical data subject to modification without prior notice
所有规格单位均为 mm，技术参数如有变动，恕不另行通知



不锈钢沉头圆柱体通孔拉铆螺母
Stainless steel sink round thru-hole rivet nut

不锈钢沉头圆柱体通孔拉铆螺母

Stainless steel sink round thru-hole rivet nut



Thread specification

螺纹规格	E=grip 铆接范围	L	b=drill dia 钻孔孔径	d=rivet dia 铆体直径	D	K
M4	1.2-3.0	12.0	6.0	6.0	8.0	1.0
M5	1.2-3.5	12.0	7.0	7.0	9.0	1.0
M6	1.7-4.5	17.0	9.0	9.0	12.0	1.5
M8	1.7-4.5 4.5-6.5	17.5 19.5	11.0	11.0	14.0	1.5
M10	1.7-4.5	20.0	12.1	12.0	15.0	1.5

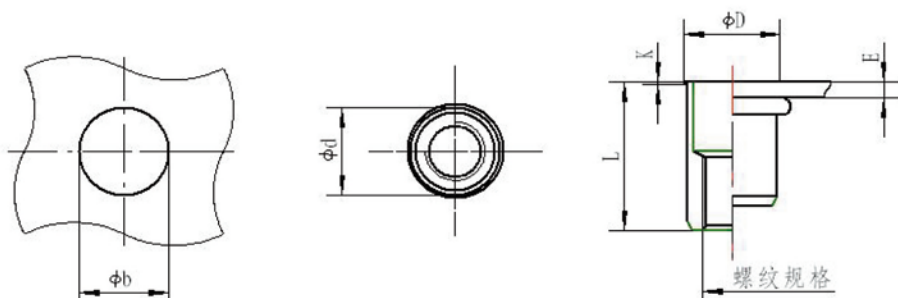
All dimensions in mm
Technical data subject to modification without prior notice
所有规格单位均为 mm，技术参数如有变动，恕不另行通知



不锈钢小沉头圆柱体通孔拉铆螺母
Stainless steel sink round thru-hole rivet nut

不锈钢小沉头圆柱体通孔拉铆螺母

Stainless steel sink round thru-hole rivet nut



Thread
specification

螺纹规格	E=grip 铆接范围	L	b=drill dia 钻孔孔径	d=rivet dia 铆体直径	D	K
M4	0.5-2.0	11.0	6.0	6.0	6.5	0.5
M5	0.5-3.0	12.0	7.0	7.0	7.5	0.5
M6	0.5-3.0	14.5	9.0	9.0	9.5	0.5
M8	0.5-3.0 3.0-5.5	16.0 18.5	11.0	11.0	11.5	0.5

All dimensions in mm
Technical data subject to modification without prior notice
所有规格单位均为 mm，技术参数如有变动，恕不另行通知